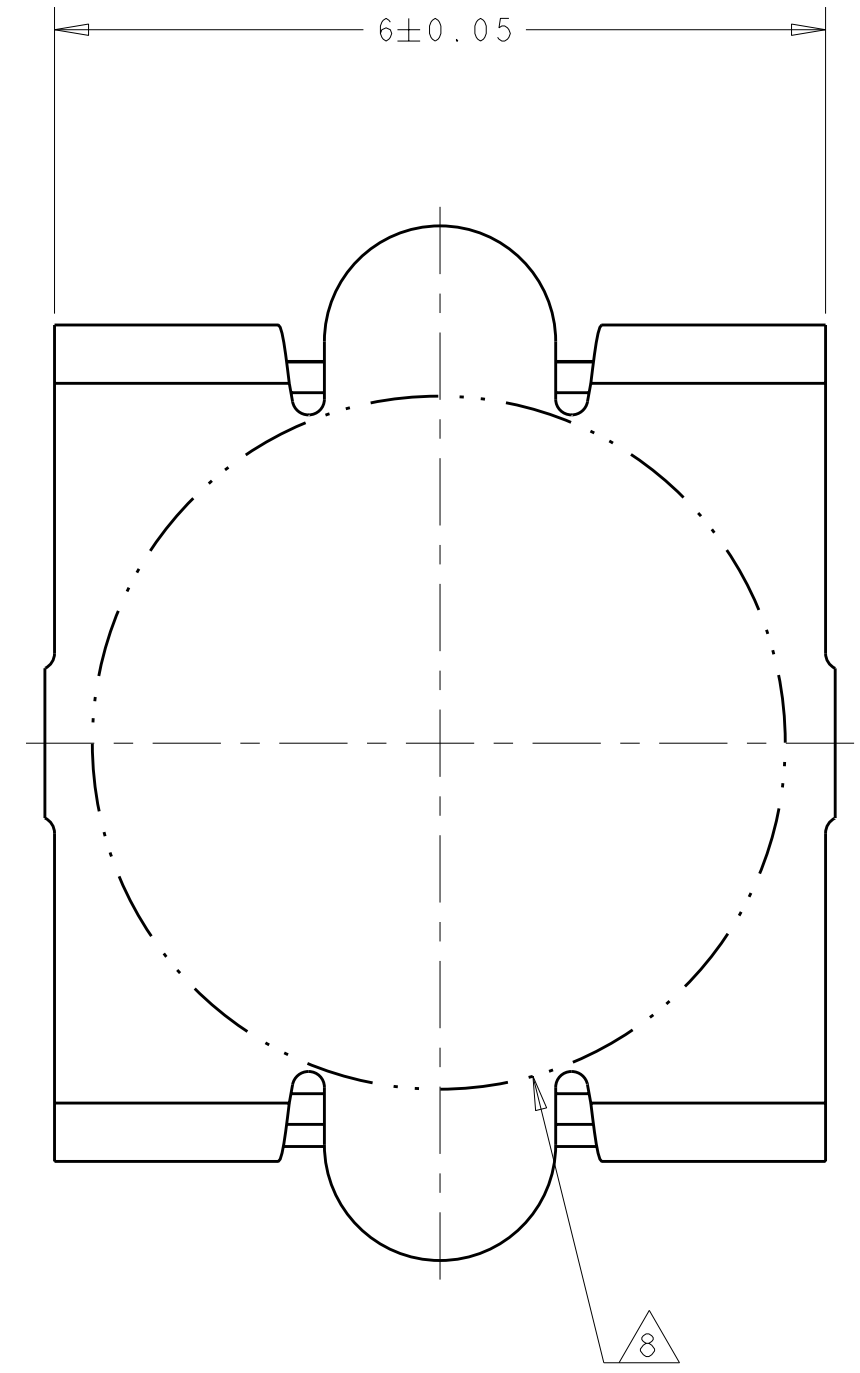
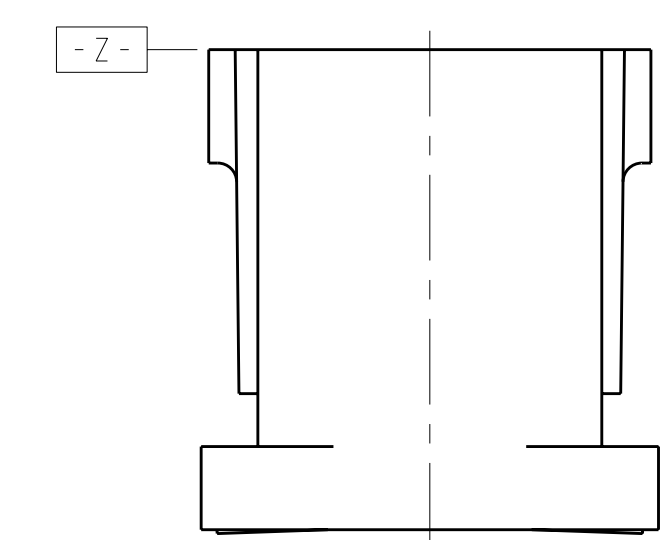
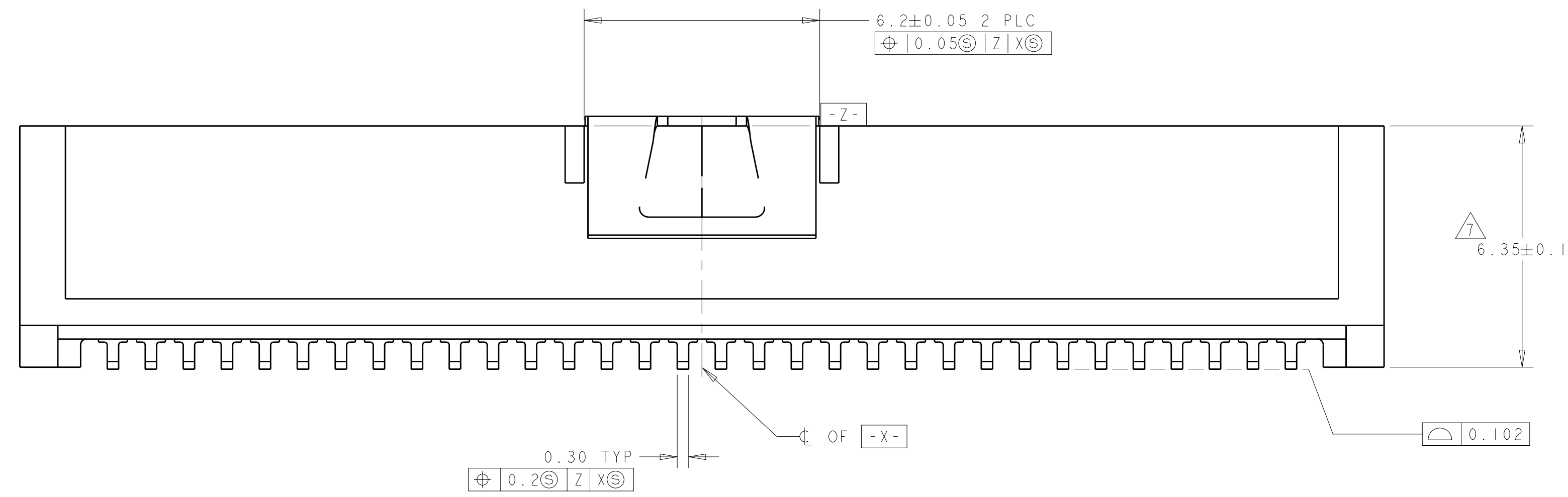
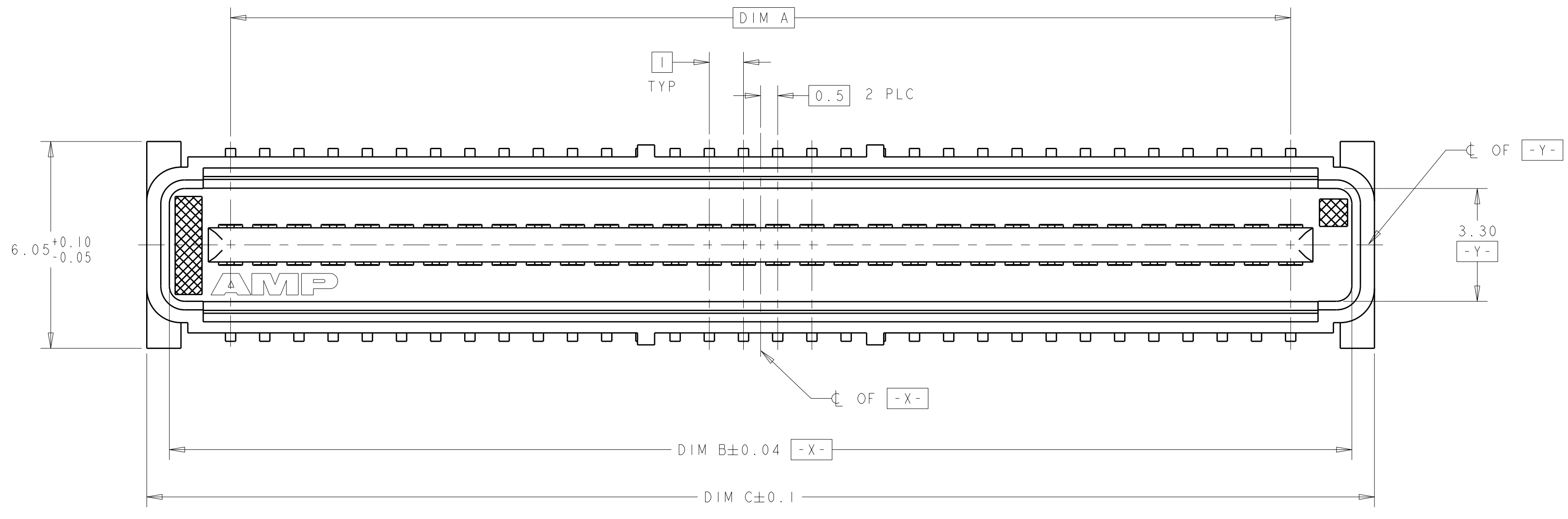
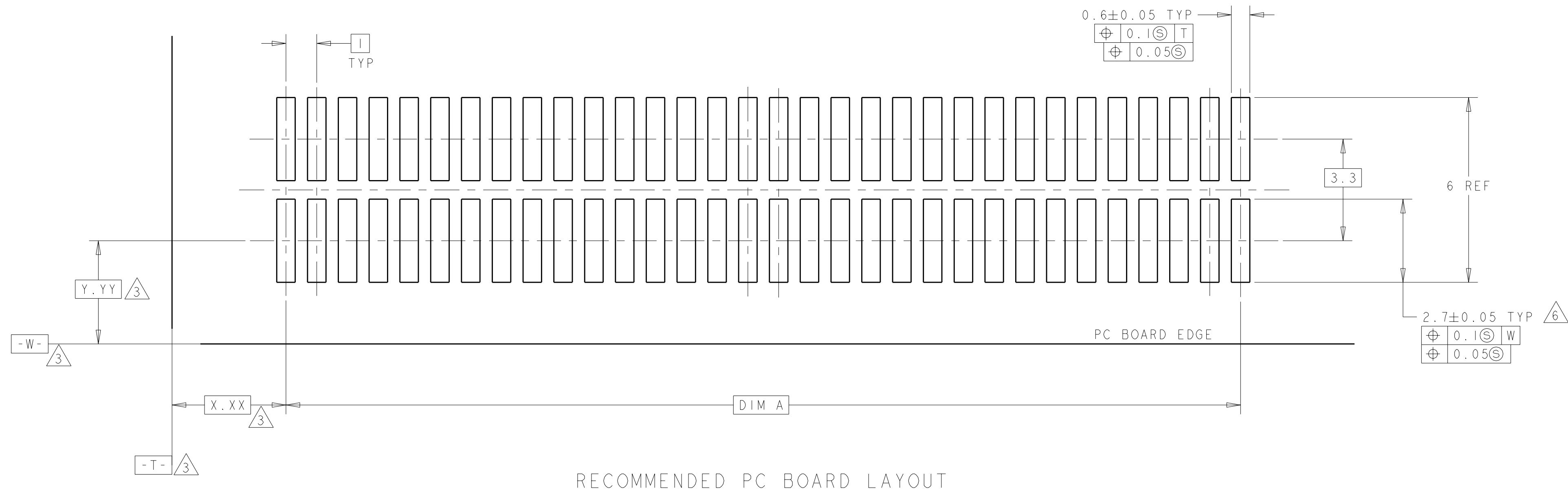


LOC	DIST	REV	DATE	BY	CHK	APPD
AD	00	0	30SEP2004	BC	RW	
		A	16SEP2005	BC	RW	
		B	10JUL2008	DH	DB	



VACUUM COVER



RECOMMENDED PC BOARD LAYOUT

- 1 HOUSING MATERIAL: LIQUID CRYSTAL POLYMER COLOR: BLACK. CONTACT MATERIAL: PHOSPHOR BRONZE.
- 2 CONTACT FINISH: NICKEL UNDERPLATE ALL OVER, MATING SURFACES PLATED TO MEET PLI PERFORMANCE REQUIREMENTS OF INDUSTRY SPECIFICATION EIA-700AAAB, SOLDER TAILS PLATED TIN.
- 3 DATUM LOCATIONS AND BASIC DIMENSIONS TO BE ESTABLISHED BY THE CUSTOMER. CONSULT AMP ENGINEERING WHEN PLACING MULTIPLE CONNECTORS ON A PC BOARD.
- 4 PACKAGED IN TAPE ON REEL PER EIA-481.
- 5 VACUUM COVER DESIGNED FOR 4mm DIA. NOZZLE. VACUUM COVER TO BE REMOVED AFTER SOLDERING. VACUUM COVER REMOVED FROM SOME VIEWS FOR DIMENSIONAL CLARITY.
- 6 SHORTER SOLDER LANDS MAY BE USED PER EIA 700AAAB, HOWEVER 2.7 LENGTH ASSURES OPTIMUM SOLDER FILLET REGARDLESS OF MANUFACTURER OF CONNECTOR.
- 7 REFERRED TO AS DIM N IN EIA 700AAAB SPECIFICATION.
- 8 5.5 MIN DIAMETER TARGET AREA FOR VACUUM PICK-UP.
- 9 CONTACT FINISH: 0.00381 MINIMUM MATTE TIN PER ASTM B 545 ON SOLDER AREA, 0.00127 MINIMUM GOLD PER ASTM B 488 ON MATING AREA, BOTH OVER 0.00127 MINIMUM NICKEL PER SAE-AMS-QQ-N-290 ON ENTIRE CONTACT.

REV	DESCRIPTION	DATE	BY	CHK	APPD
0	REV PER EC 0512-0235-04	30SEP2004	BC	RW	
A	REV PER EC 0512-0213-05	16SEP2005	BC	RW	
B	REVISED PER ECO-08-008615	10JUL2008	DH	DB	

FINISH	DIM C	DIM B	DIM A	MATING CONNECTOR	STACK HGTS	POS	PART NO
9	45.9	44.58	41	5120528-2	8	84	1-5120532-2
9	35.9	34.58	31	5120528-1	8	64	1-5120532-1
2	45.9	44.58	41	5120528-2	8	84	5120532-2
2	35.9	34.58	31	5120528-1	8	64	5120532-1

DIMENSIONS: mm		TOLERANCES UNLESS OTHERWISE SPECIFIED:		DWN B. CARBO 30SEP04		CHK R. WERTZ 30SEP04		APPD R. WERTZ 30SEP04		NAME	
9 PLC	±	9 PLC	±	PRODUCT SPEC		502-1079		APPLICATION SPEC		SIZE CAGE CODE DRAWING NO	
5 PLC	±0.03	5 PLC	±0.003	MATERIAL		114-25045		WEIGHT		RESTRICTED TO	
4 PLC	±	FINISH		SEE TABLE		CUSTOMER DRAWING		SCALE 17:1		SHEET 1 OF 1	
MATERIAL		FINISH		SEE TABLE		CUSTOMER DRAWING		SCALE 17:1		SHEET 1 OF 1	

TYCO ELECTRONICS CORPORATION		Tyco Electronics	
HARRISBURG, PA 17105-3608		HARRISBURG, PA 17105-3608	